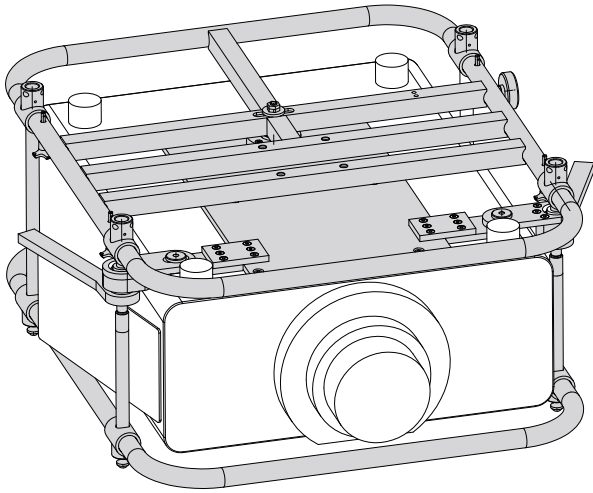


INSTALLATION MANUAL

ET-RFD21



Important safety notice	2
Product description	3
Assembly procedure	4
Installing the projector in the frame	4
Securing the projector in the frame	5
Installing tandem projections	6
Maximum stacking information	6
Adjustment options	7
Dimensions & weight	8

For projectors:
PT-DZ21K / PT-DS20K / PT-DW17K

Only a qualified installer should install this product.

Read these instructions carefully before installing the ET-RFD21 projector frame.

These installation instructions must always be handed over to the installing person.

IMPORTANT SAFETY NOTICE

Dear customer,

Thank you for choosing the ET-RFD21 frame for Panasonic DLP® based projectors. This instruction booklet provides you with all the necessary operating information that you may require. It will help you to get the best performance out of this new product. We hope you will be pleased with your Panasonic projector frame.

Model number: **ET-RFD21**

SAFETY PRECAUTIONS

This frame is BGV-C1 certified

WARNING

Installation work should only be carried out by a qualified technician.

- If this product is not installed correctly, serious accidents may result.

Do not place the projector on top of unstable surfaces.

- If the projector is placed on top of a surface which is sloped or unstable, it may fall down or tip over and injury or damage could result.

Make sure not exceed max. weight loads for ceiling mounts.

- For suspended installations, use only designated hanging accessories, like TH-SHORTY-150-8 for a max. weight load of 150 kg (330,69 lbs).

CAUTION

Do not install the frame in a place which may impede projector ventilation.

- If this is not observed, fire may result.

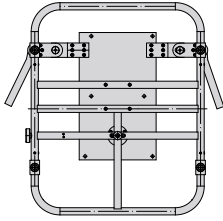
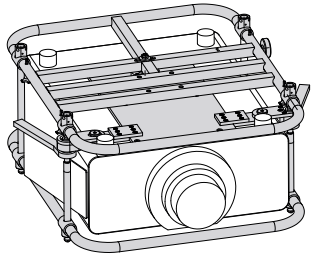


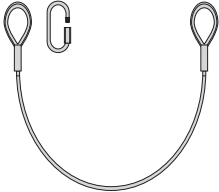
Do not set up the projector in humid or dusty places or in places where the projector may come into contact with oily smoke or steam.

- Using the projector under such conditions may result in fire, electric shocks or plastic deterioration.

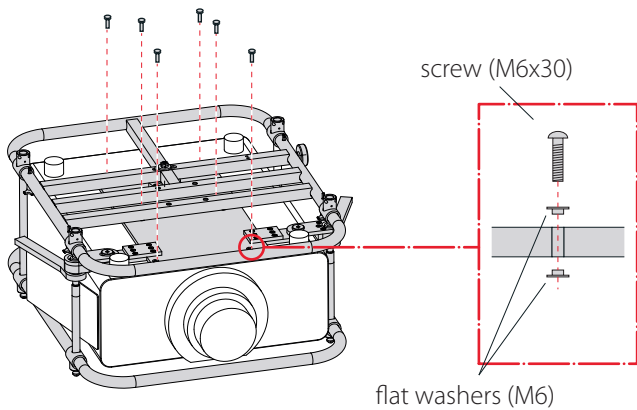
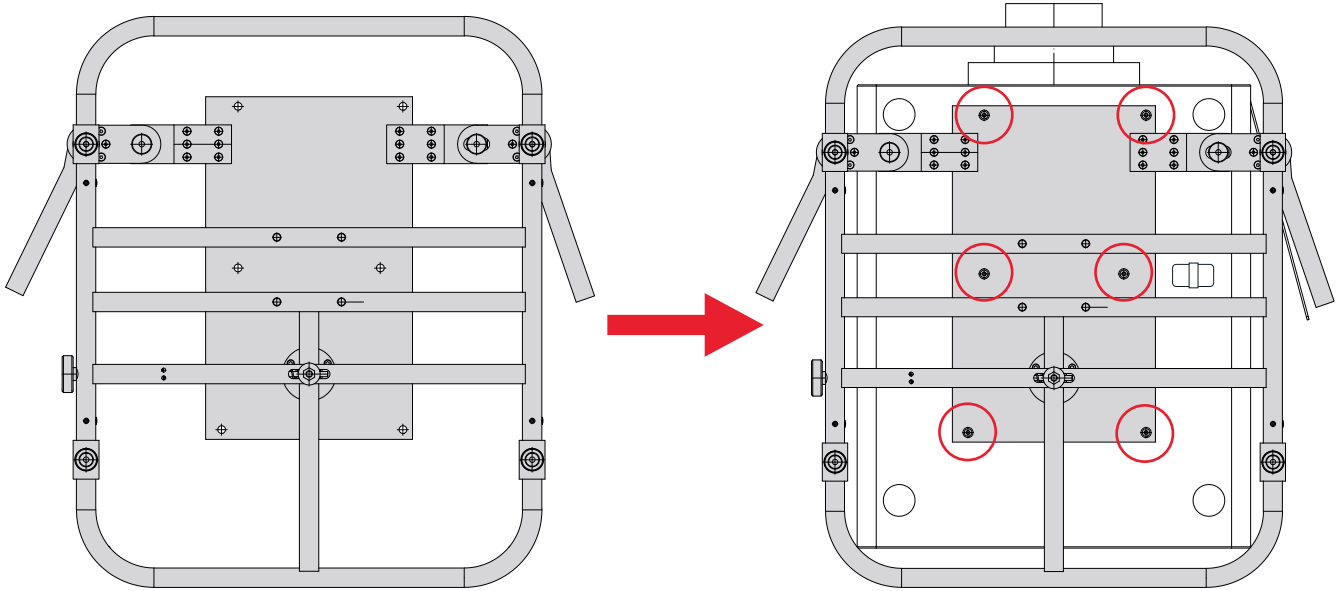
Minimum 2 people are required to install the frame.

-With regard to the overall weight of all necessary installation devices, make sure to handle those with at least two people.

PRODUCT DESCRIPTION

Part name	Image/Drawing	Purpose	Finished assembly diagram
Frame		Used for projector installation.	 <p>Another separate frame is required for tandem assemblies.</p>
Screws and washers	 <p>— Screws (M6x30) x 6</p>  <p>— Flat washers (M6) x 12 max. 2mm</p>	Used for securing the projector into the frame.	
Safety		Used for additional security.	

INSTALLING THE PROJECTOR IN THE FRAME



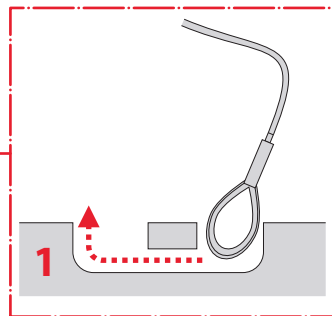
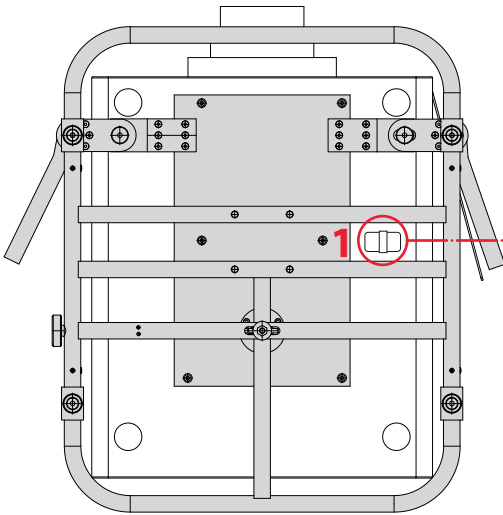
Place the frame on the projector so that it is aligned with the screw hole positions. (Make sure that the forward/back direction is correct when installing. If the direction is reversed, the hole positions will not match up.)

Please make sure to use **ONLY** the correspondent screw holes when installing a projector!

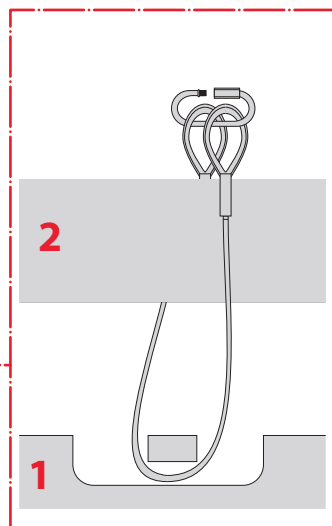
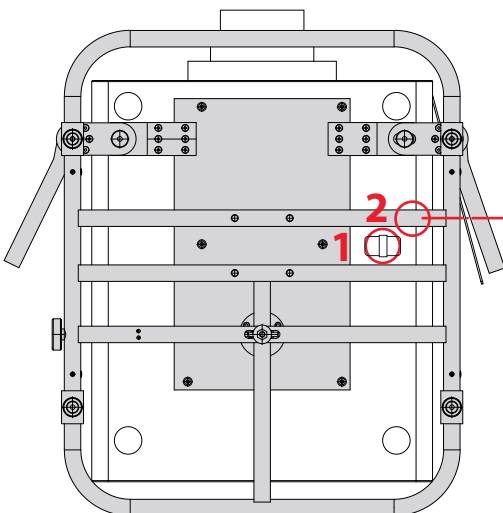
Secure the projector to the frame using the six screws (M6x30) and the twelve flat washers (M6). **Do not forget to use the washers as they are responsible for the galvanic isolation.**

Torque: 4 ± 0.5 Nm

SECURING THE PROJECTOR IN THE FRAME

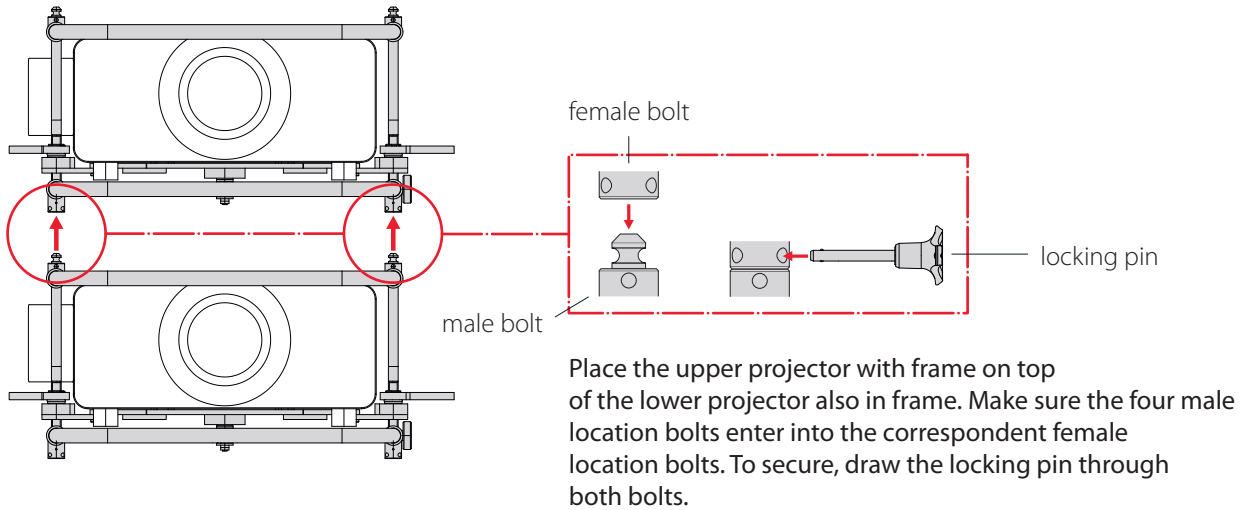


Please use the enclosed steel wire to secure the projector in the frame by drawing the wire around the securing bar (1) of the projector as shown in image 1.



Fix both end latches with the enclosed carabiner. Please make sure that the steel wire clasps the securing bar of the projector (1) and the steel bar of the frame (2). The carabiner screw must be tightly fastened!

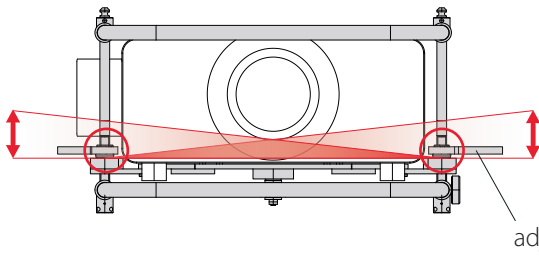
INSTALLING TANDEM PROJECTIONS



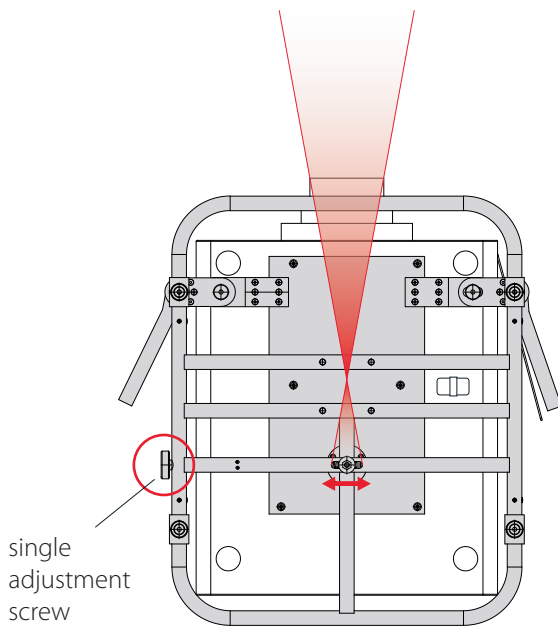
MAXIMUM STACKING INFORMATION

	Frame ET-RFD21
ceiling mount with TH-SHORTY-150-8	
table mount	

ADJUSTMENT OPTIONS



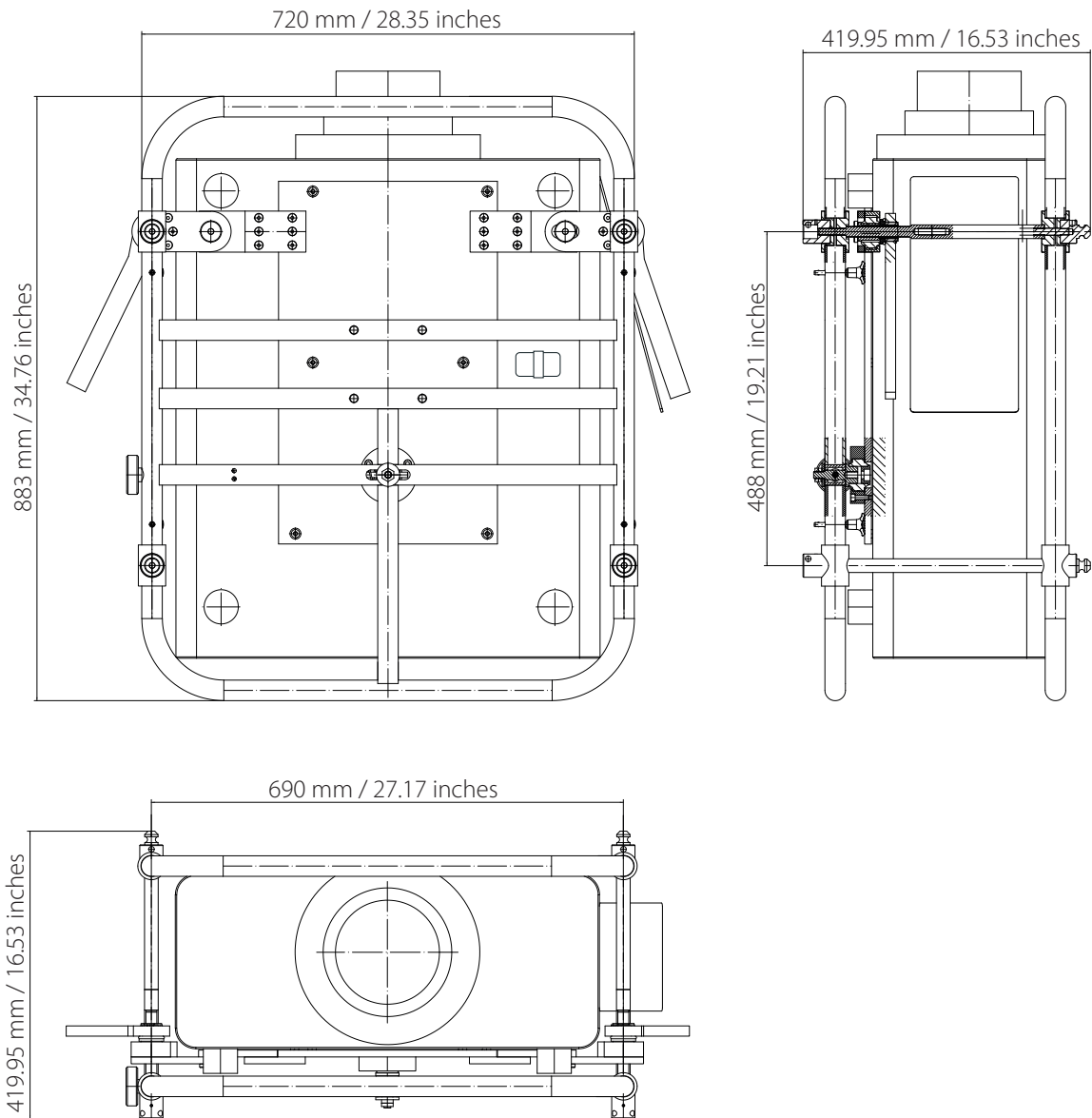
Using the adjusting screws to the left and right you can adjust the position of the projector by approximately five degrees. You can lower or lift the front left or right corner.



By turning the single round adjustment screw, placed on the side of the frame, you can move the back of the projector to the left or to the right by approximately five degrees.

DIMENSIONS & WEIGHT

Weight: 18,50kg



Made in Germany
for



by Sager Metallbearbeitung

www.lang-ag.com

03/17